

# TIL SALG PÅ 123MC.DK

## SÆLGER



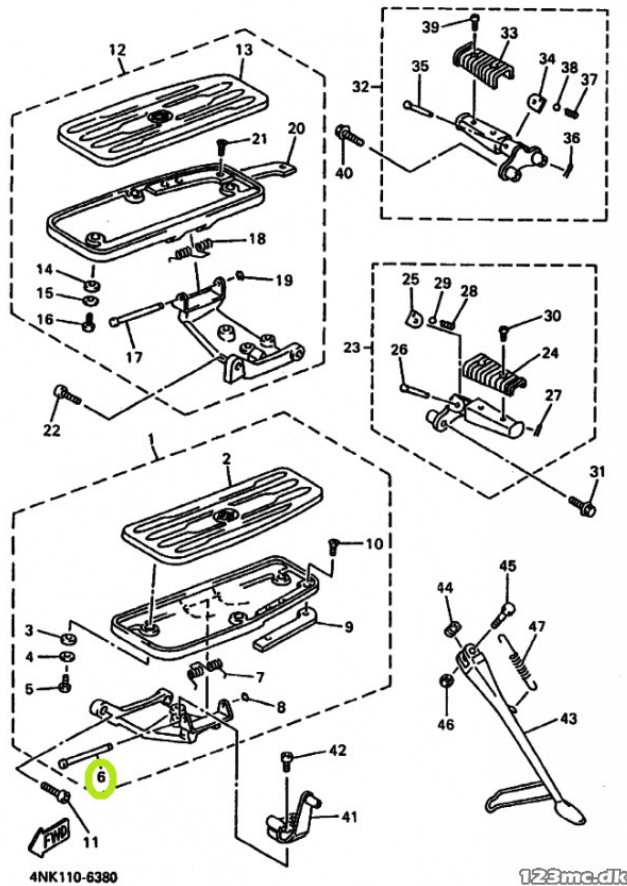
Sydfyns MC Service  
Møllevvej 19 Ulbølle  
5762 Vester Skerninge

Email [sydfynmc@mail.dk](mailto:sydfynmc@mail.dk)  
Telefon 62241635 / 40377224  
CVR 11524494

## ANNONCE

### SHAFT 4NK-27427-00-00 (3D8-27427-00-00)

Ring for pris



Sælgers beskrivelse

Nyt passer på. 1996 ROYAL STAR - XVZ13A STAND & FOOTREST 1996 ROYAL STAR - XVZ13A STAND & FOOTREST 1996 ROYAL STAR - XVZ13A STAND & FOOTREST 1996 ROYAL STAR - XVZ13A STAND & FOOTREST 1996 ROYAL STAR TOUR CLASSIC - XVZ13AT STAND & FOOTREST 1996 ROYAL STAR TOUR CLASSIC - XVZ13AT STAND & FOOTREST 1996 ROYALSTAR - XVZ13A STAND & FOOTREST 1996 ROYALSTAR - XVZ13A STAND & FOOTREST 1996 ROYALSTAR TOUR CLASSIC - XVZ13AT STAND & FOOTREST 1996 ROYALSTAR TOUR CLASSIC - XVZ13AT STAND & FOOTREST 1996 ROYALSTAR TOUR CLASSIC - XVZ13AT STAND & FOOTREST 1996 ROYALSTAR TOUR CLASSIC - XVZ13AT STAND & FOOTREST 1996 ROYALSTAR TOUR CLASSIC - XVZ13AT STAND & FOOTREST 1997 ROYALSTAR - XVZ1300A STAND & FOOTREST 1997 ROYALSTAR - XVZ1300A STAND & FOOTREST 1998 ROYALSTAR - XVZ1300A STAND & FOOTREST 1998 ROYALSTAR - XVZ1300A STAND & FOOTREST 1999 ROYALSTAR - XVZ1300A STAND & FOOTREST 1999 ROYALSTAR - XVZ1300A STAND & FOOTREST 1999 ROYALSTAR VENTURE - XVZ13TF STAND & FOOTREST 1999 ROYALSTAR VENTURE - XVZ13TF STAND & FOOTREST 1999 Wild Star - XV1600A STAND & FOOTREST 1999 Wild Star - XV1600A STAND & FOOTREST 2000 DRAGSTAR 1100 CLASSIC - XVS1100A STAND & FOOTREST 2000 DRAGSTAR 1100 CLASSIC - XVS1100A STAND & FOOTREST 2000 ROYALSTAR - XVZ1300A STAND & FOOTREST 2000 ROYALSTAR - XVZ1300A STAND & FOOTREST 2000 ROYALSTAR VENTURE - XVZ13TF STAND & FOOTREST 2000 ROYALSTAR VENTURE - XVZ13TF STAND & FOOTREST 2000 XV1600A WILDSTAR STAND & FOOTREST 2000 XV1600A WILDSTAR STAND & FOOTREST 2001 DRAGSTAR 1100 CLASSIC - XVS1100A STAND & FOOTREST 2001 DRAGSTAR 1100 CLASSIC - XVS1100A STAND & FOOTREST 2001 DRAGSTAR CLASSIC - XVS650A STAND & FOOTREST 2001 ROYALSTAR VENTURE - XVZ13TF STAND & FOOTREST 2001 ROYALSTAR VENTURE - XVZ13TF STAND & FOOTREST 2001 XV1600A STAND & FOOTREST 2001 XV1600A STAND & FOOTREST 2002 DRAGSTAR 1100 CLASSIC - XVS1100A STAND & FOOTREST 2002 DRAGSTAR 1100 CLASSIC - XVS1100A STAND & FOOTREST 2002 DRAGSTAR CLASSIC - XVS650A STAND & FOOTREST 2002 Wild Star - XV1600A STAND & FOOTREST 2002 Wild Star - XV1600A STAND & FOOTREST 2003 DRAGSTAR 1100 CLASSIC - XVS1100A STAND & FOOTREST 2003 DRAGSTAR 1100 CLASSIC - XVS1100A STAND & FOOTREST 2004 DRAGSTAR CLASSIC - XVS650A SUPPORT & REPOSE PIED 2004 DRAGSTAR CLASSIC - XVS650A SUPPORT & REPOSE PIED 2005 DRAGSTAR 1100 CLASSIC - XVS1100A STAND & FOOTREST 2005 DRAGSTAR 1100 CLASSIC - XVS1100A STAND & FOOTREST 2005 DRAGSTAR CLASSIC - XVS650A STAND & FOOTREST 2005 DRAGSTAR CLASSIC - XVS650A STAND & FOOTREST 2005 DRAGSTAR CLASSIC - XVS650A STAND & FOOTREST 2005 DRAGSTAR CLASSIC - XVS650A STAND & FOOTREST 2007 XVS1300A STAND & FOOTREST 2007 XVS1300A STAND & FOOTREST 2008 MIDNIGHT STAR - XVS1300A STAND & FOOTREST 2008 MIDNIGHT STAR - XVS1300A STAND & FOOTREST 2009 MIDNIGHT STAR - XVS1300A STAND & FOOTREST 2009 MIDNIGHT STAR - XVS1300A STAND & FOOTREST 2010 XVS1300A STAND & FOOTREST 2010 XVS1300A STAND & FOOTREST 2011 XVS1300A STAND & FOOTREST 2011 XVS1300A STAND & FOOTREST 2011 XVS1300A STAND & FOOTREST 2011 XVS1300A STAND & FOOTREST 2014 XVS1300A STAND & FOOTREST 2014 XVS1300A STAND & FOOTREST 2014 XVS1300A STAND & FOOTREST 2016 XVS1300A STAND & FOOTREST