

# TIL SALG PÅ 123MC.DK

## SÆLGER



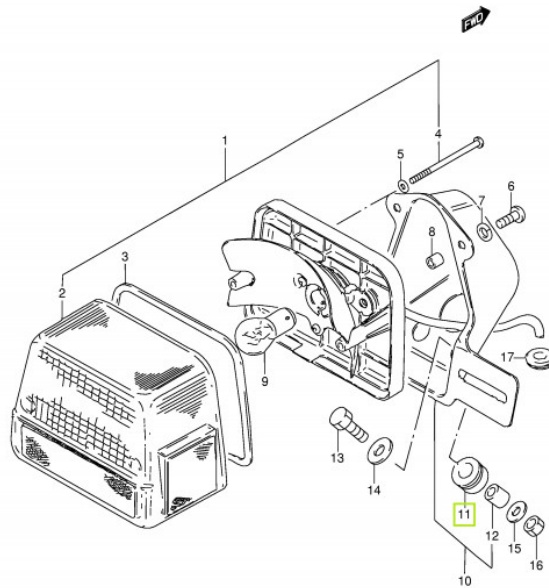
Sydfyns MC Service  
Møllevvej 19 Ulbølle  
5762 Vester Skerninge

Email [sydfynmc@mail.dk](mailto:sydfynmc@mail.dk)  
Telefon 62241635 / 40377224  
CVR 11524494

## ANNONCE

### 35765-22210 LP BRKT LOWER W

Ring for pris



GN125ET E03\_023

123mc.dk

Passer til Suzuki

#### Sælgers beskrivelse

Passer til Suzuki , Nyt passer på. 1972 A100 FOR SPECIAL MARKET (E2) 1972 A100 REAR COMBINATION LAMP (A100M,N) 1973 A100 FOR SPECIAL MARKET (E2) 1973 A100 REAR COMBINATION LAMP (A100M,N) 1974 A100 FOR SPECIAL MARKET (E2) 1975 A100 FOR SPECIAL MARKET (E2) 1975 A100 REAR COMBINATION LAMP (A100M,N) 1979 A100 FOR SPECIAL MARKET (E2) 1979 A100 REAR COMBINATION LAMP (A100M,N) 1979 SB200 REAR COMBINATION LAMP 1980 GS250 REAR COMBINATION LAMP 1980 GS450 REAR COMBINATION LAMP 1980 GS450 REAR COMBINATION LAMP (E22, E25) 1980 GS450 REAR COMBINATION LAMP (E34) 1980 GS450 REAR COMBINATION LAMP (E39) 1980 GS550 REAR COMBINATION LAMP 1980 GS550 REAR COMBINATION LAMP (E2, E4, E21, E25) 1980 GS550 REAR COMBINATION LAMP (E22) 1980 GS550 REAR COMBINATION LAMP (E26) 1980 GS550 REAR COMBINATION LAMP (E34) 1980 GS550 REAR COMBINATION LAMP (E39) 1980 GSX400 REAR COMBINATION LAMP 1981 GS250 REAR COMBINATION LAMP 1981 GS450 REAR COMBINATION LAMP 1981 GS450 REAR COMBINATION LAMP (E22, E25) 1981 GS450 REAR COMBINATION LAMP (E34) 1981 GS450 REAR COMBINATION LAMP (E39) 1981 GS550 REAR COMBINATION LAMP (E2, E4, E21) 1981 GSX400 REAR COMBINATION LAMP 1981 GSX400 REAR COMBINATION LAMP 1982 GN125 REAR COMBINATION (MODEL N/R E30) 1982 GN125 REAR COMBINATION (MODEL N/R E30) 1982 GS450 REAR COMBINATION LAMP 1982 GS450 REAR COMBINATION LAMP (E22, E25) 1982 GS450 REAR COMBINATION LAMP (E24) 1982 GS450 REAR COMBINATION LAMP (E34) 1982 GS450 REAR COMBINATION LAMP (E39) 1983 GN125 REAR COMBINATION (MODEL N/R E30) 1983 GN125 REAR COMBINATION (MODEL N/R E30) 1983 GR650 REAR COMBINATION LAMP 1983 GR650 REAR COMBINATION LAMP (E16,E18,E25,E26,E39) 1983 GR650 REAR COMBINATION LAMP (E17) 1983 GR650 REAR COMBINATION LAMP (E17) 1983 GR650 REAR COMBINATION LAMP (E17) 1983 GR650 REAR COMBINATION LAMP (E2,E4,E15,E21) 1983 GR650 REAR COMBINATION LAMP (E2,E4,E15,E21) 1983 GR650 REAR COMBINATION LAMP (E2,E4,E15,E21) 1983 GR650 REAR COMBINATION LAMP (E34) 1983 GS450 REAR COMBINATION LAMP 1983 GSX400 REAR COMBINATION LAMP 1984 GR650 REAR COMBINATION LAMP 1984 GR650 REAR COMBINATION LAMP 1984 GR650 REAR COMBINATION LAMP (E16,E18,E25,E26,E39) 1984 GR650 REAR COMBINATION LAMP (E16,E18,E25,E26,E39) 1984 GR650 REAR COMBINATION LAMP (E17) 1984 GR650 REAR COMBINATION LAMP (E17) 1984 GR650 REAR COMBINATION LAMP (E2,E4,E15,E21) 1984 GR650 REAR COMBINATION LAMP (E2,E4,E15,E21) 1984 GR650 REAR COMBINATION LAMP (E34) 1984 GR650 REAR COMBINATION LAMP (E34) 1989 GN125 REAR COMBINATION (MODEL N/R E30) 1989 GN125 REAR COMBINATION (MODEL N/R E30) 1991 GN125 REAR COMBINATION 1992 GN125 REAR COMBINATION 1992 GN125 REAR COMBINATION (MODEL N/R E30) 1993 GN125 REAR COMBINATION 1993 GN125 REAR COMBINATION 1994 GN125 REAR COMBINATION 1994 GN125 REAR COMBINATION 1995 GN125 REAR COMBINATION 1996 GN125 REAR COMBINATION