

TIL SALG PÅ 123MC.DK

SÆLGER



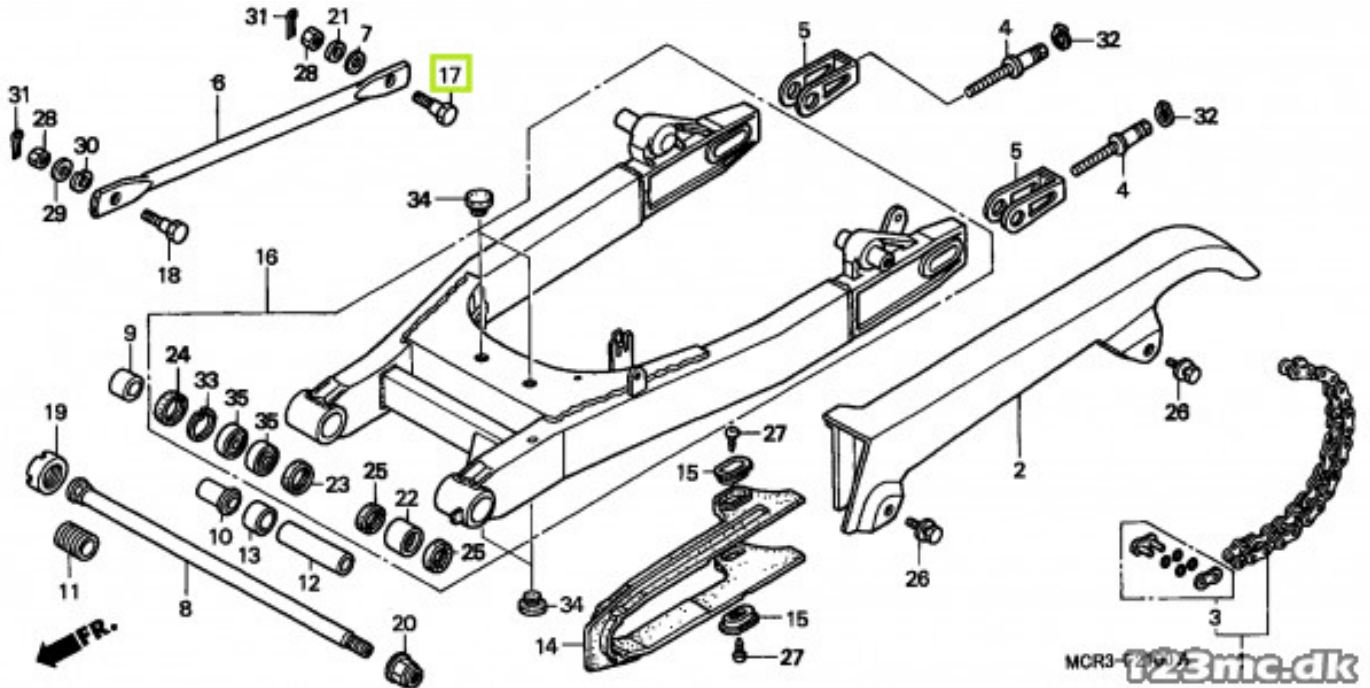
Sydfoyns MC Service
Møllevvej 19 Ulbølle
5762 Vester Skerninge

Email sydfynmc@mail.dk
Telefon 62241635 / 40377224
CVR 11524494

ANNONCE

90127-393-000 BOLT,RR.BRAKE

Ring for pris



Passer til Honda

Sælgers beskrivelse

Passer til Honda , Nyt passer på. 2001 VT750DC1 E / MK MKH F-21 SWINGARM 2001 VT750DC1 ED / KPH MK F-21 SWINGARM 2001 VT750DC1 ED / KPH MK 25K F-21 SWINGARM 2001 VT750DC1 H / KPH MM F-21 SWINGARM 2001 VT750DC1 ED / KPH MM 25K F-21 SWINGARM 2002 VT750DC2 E / MK F-21 SWINGARM 2002 VT750DC2 ED / MM F-21 SWINGARM 2002 VT750DC2 ED F-21 SWINGARM 2002 VT750DC2 ED / 25K F-21 SWINGARM 2002 VT750DC2 ED / MK F-21 SWINGARM 2002 VT750DC2 ED / MM F-21 SWINGARM 2002 VT750DC2 H F-21 SWINGARM 2002 VT750DC2 H / MK F-21 SWINGARM 2002 VT750DC2 H / MM F-21 SWINGARM 2004 VT750C4 E F-23 SWINGARM 2004 VT750C4 ED F-23 SWINGARM 2005 VT750C5 E F-23 SWINGARM 2005 VT750C5 ED F-23 SWINGARM 2005 VT750DCB F-21 SWINGARM 2006 VT750C6 E F-23 SWINGARM 2006 VT750C6 ED F-23 SWINGARM 2006 VT750CA6 E / ST F-23 SWINGARM 2006 VT750CA6 ED / ST F-23 SWINGARM 2007 VT750C27 E / MKH F-24 SWINGARM 2007 VT750C27 ED / KMH F-24 SWINGARM 2007 VT750C7 E F-23 SWINGARM 2007 VT750C7 ED F-23 SWINGARM 2007 VT750CA7 E / TWO F-23 SWINGARM 2007 VT750CA7 ED / TWO F-23 SWINGARM 2008 NV400C F-21 SWINGARM 2008 VT750C28 E / MKH F-24 SWINGARM 2008 VT750C28 ED / KMH F-24 SWINGARM 2008 VT750C8 E / MKH F-24 SWINGARM 2008 VT750C8 ED / KMH F-24 SWINGARM 2008 VT750CA8 E / MKH ST F-24 SWINGARM 2008 VT750CA8 ED / KMH ST F-24 SWINGARM 2009 VT750C9 E / KMH F-24 SWINGARM 2009 VT750C9 ED / MKH MME F-24 SWINGARM 2009 VT750C9 ED / MK F-24 SWINGARM 2009 VT750C9 ED / MME F-24 SWINGARM 2009 VT750CA9 E / MKH MME ST F-24 SWINGARM 2009 VT750CA9 E / MKH ST F-24 SWINGARM 2009 VT750CA9 ED / MK F-24 SWINGARM 2009 VT750CA9 ED / MME F-24 SWINGARM 2010 VT750C2BA E / MKH ST F-24 SWINGARM 2010 VT750C2BA ED / KMH ST F-24 SWINGARM 2010 VT750C2SA E / ABS MKH F-24 SWINGARM 2010 VT750C2SA E / ABS MKH ST F-24 SWINGARM 2010 VT750C2SA ED / ABS KMH F-24 SWINGARM 2010 VT750C2SA ED / ABS KMH ST F-24 SWINGARM 2010 VT750CSA E / ABS MKH F-24 SWINGARM 2010 VT750CSA E / ABS MKH TWO 3E F-24 SWINGARM 2010 VT750CSA ED / ABS KMH F-24 SWINGARM 2010 VT750CSA ED / ABS KMH TWO 2ED F-24 SWINGARM 2010 VT750CSA EK / ABS KMH TWO F-24 SWINGARM 2010 VT750SA E / MKH F-32 SWINGARM 2010 VT750SA ED F-32 SWINGARM 2011 VT750C2BB E F-32 SWINGARM 2011 VT750C2BB ED F-32 SWINGARM 2011 VT750C2SB ED / ABS F-32 SWINGARM 2011 VT750C2SB ED / ABS 3ED F-32 SWINGARM 2011 VT750SB 2E / MKH 2E F-32 SWINGARM 2011 VT750SB 2F / CMF 2F F-32 SWINGARM 2011 VT750SB 3ED / 3ED F-32 SWINGARM 2011 VT750SB E / MKH F-32 SWINGARM 2011 VT750SB ED F-32 SWINGARM 2012 VT750C2B F-32 SWINGARM (VT750C2B/C2S/CS/C/CA) 2013 VT750S F-32-1 SWINGARM (VT750S) 2014 VT750C2B F-32 SWINGARM (VT750CS/C2B/C2S/C)