

TIL SALG PÅ 123MC.DK

SÆLGER



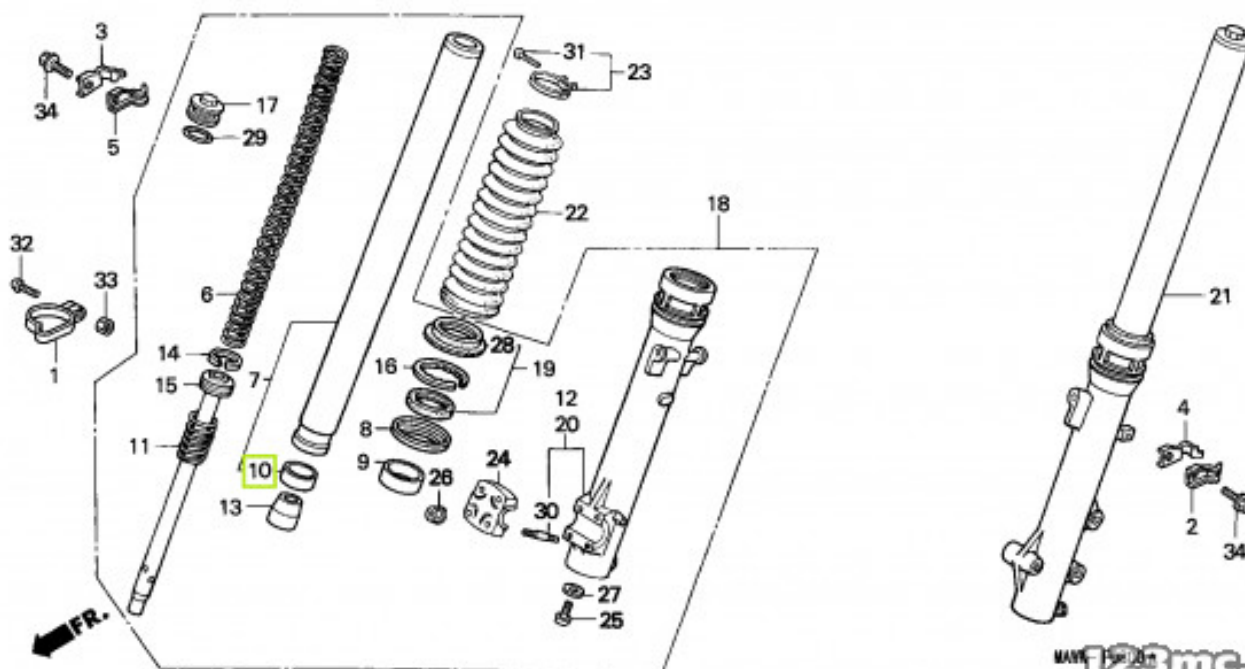
Sydfyns MC Service
Møllevvej 19 Ulbølle
5762 Vester Skerninge

Email sydfynmc@mail.dk
Telefon 62241635 / 40377224
CVR 11524494

ANNONCE

51415-MG2-701 BUSH,SLIDER

Pris kr. 108 ,-



Passer til Honda

Sælgers beskrivelse

Passer til Honda , NYT. Passer på. 1985 XL600LMF FRONT FORK 1986 XL600RMG FRONT FORK 1987 XL600LMH FRONT FORK 1987 XL600VH E F-8 FRONT FORK 1987 XL600VH F / YB F-8 FRONT FORK 1987 XL600VH G F-8 FRONT FORK 1987 XL600VH G / 27P F-8 FRONT FORK 1987 XL600VH IT F-8 FRONT FORK 1987 XL600VH SP F-8 FRONT FORK 1987 XLR250R F-8 FRONT FORK (1) (RF/R2F/RH/R3J/RK/RL/R3L) 1988 NX650J B F-8 FRONT FORK 1988 NX650J E / MKH F-8 FRONT FORK 1988 NX650J ED F-8 FRONT FORK 1988 NX650J F / YB F-8 FRONT FORK 1988 NX650J G F-8 FRONT FORK 1988 NX650J G / 27P F-8 FRONT FORK 1988 NX650J IT F-8 FRONT FORK 1988 NX650J SP F-8 FRONT FORK 1988 NX650J SP F-8 FRONT FORK 1988 XL600VJ E F-8 FRONT FORK 1988 XL600VJ F / YB F-8 FRONT FORK 1988 XL600VJ G F-8 FRONT FORK 1988 XL600VJ G / 27P F-8 FRONT FORK 1988 XL600VJ IT F-8 FRONT FORK 1988 XL600VJ SP F-8 FRONT FORK 1989 CRM250R F-8 FRONT FORK (1) 1989 NX650K B F-8 FRONT FORK 1989 NX650K E / MKH F-8 FRONT FORK 1989 NX650K ED F-8 FRONT FORK 1989 NX650K F / YB F-8 FRONT FORK 1989 NX650K IT F-8 FRONT FORK 1989 NX650K SP F-8 FRONT FORK 1989 XL600VK A F-8 FRONT FORK 1989 XL600VK E F-8 FRONT FORK 1989 XL600VK F / YB F-8 FRONT FORK 1989 XL600VK G F-8 FRONT FORK 1989 XL600VK G / 27P F-8 FRONT FORK 1989 XL600VK IT F-8 FRONT FORK 1989 XL600VK SP F-8 FRONT FORK 1990 NX6502L E / MKH F-8 FRONT FORK 1990 NX6502L ED F-8 FRONT FORK 1990 NX6502L F / YB F-8 FRONT FORK 1990 NX6502L G F-8 FRONT FORK 1990 NX6502L G / 27P F-8 FRONT FORK 1990 NX6502L SP F-8 FRONT FORK 1990 NX650L B F-8 FRONT FORK 1990 NX650L E / MKH F-8 FRONT FORK 1990 NX650L ED F-8 FRONT FORK 1990 NX650L F / YB F-8 FRONT FORK 1990 NX650L G F-8 FRONT FORK 1990 NX650L G / 27P F-8 FRONT FORK 1990 NX650L IT F-8 FRONT FORK 1990 NX650L SP F-8 FRONT FORK 1990 XL600VL F / YB F-8 FRONT FORK 1990 XL600VL IT F-8 FRONT FORK 1990 XL600VL SP F-8 FRONT FORK 1991 NX650M E / MKH F-8 FRONT FORK 1991 NX650M ED F-8 FRONT FORK 1991 NX650M F / YB F-8 FRONT FORK 1991 NX650M G F-8 FRONT FORK 1991 NX650M G / 27P F-8 FRONT FORK 1991 NX650M IT F-8 FRONT FORK 1991 NX650M SP F-8 FRONT FORK 1991 XL600VM E F-8 FRONT FORK 1991 XL600VM F / YB F-8 FRONT FORK 1991 XL600VM G F-8 FRONT FORK 1991 XL600VM G / 27P F-8 FRONT FORK 1991 XL600VM IT F-8 FRONT FORK 1991 XL600VM SP F-8 FRONT FORK 1992 NX650N E / KPH F-8 FRONT FORK 1992 NX650N ED / MKH F-8 FRONT FORK 1992 NX650N F / MKH F-8 FRONT FORK 1992 NX650N G / MKH F-8 FRONT FORK 1992 NX650N G / MKH 27P F-8 FRONT FORK 1992 NX650N SP / MKH F-8 FRONT FORK 1992 XL600VN E F-8 FRONT FORK 1992 XL600VN F / YB F-8 FRONT FORK 1992 XL600VN G F-8 FRONT FORK 1992 XL600VN G / 27P F-8 FRONT FORK 1992 XL600VN IT F-8 FRONT FORK 1992 XL600VN SP F-8 FRONT FORK 1993 NX650P E / KPH F-8 FRONT FORK 1993 NX650P ED / MKH F-8 FRONT FORK 1993 NX650P F / MKH F-8 FRONT FORK 1993 NX650P G / MKH F-8 FRONT FORK 1993 NX650P G / MKH 27P F-8 FRONT FORK 1993 NX650P SP / MKH F-8 FRONT FORK 1993 XL600VP E F-8 FRONT FORK 1993 XL600VP F / YB F-8 FRONT FORK 1993 XL600VP G F-8 FRONT FORK 1994 NX650R E / KPH F-8 FRONT FORK 1994 NX650R ED / MKH F-8 FRONT FORK 1994 NX650R F / MKH F-8 FRONT FORK 1994 NX650R G / MKH F-8 FRONT FORK 1994 NX650R G / MKH 20K F-8 FRONT FORK 1994 NX650R SP / MKH F-8 FRONT FORK 1994 XL400V F-8 FRONT FORK 1994 XL600VR E F-8 FRONT FORK 1994 XL600VR F F-8 FRONT FORK 1994 XL600VR G F-8 FRONT FORK 1994 XL600VR G / 27P F-8 FRONT FORK 1994 XL600VR IT F-8 FRONT FORK 1994 XL600VR IT / 34P F-8 FRONT FORK 1994 XL600VR SP F-8 FRONT FORK 1995 NX650S E F-8 FRONT FORK 1995 NX650S ED F-8 FRONT FORK 1995 NX650S F / CMF F-8 FRONT FORK 1995 NX650S G F-8 FRONT FORK 1995 NX650S G / 25P F-8 FRONT FORK 1995 NX650S IT F-8 FRONT FORK 1995 NX650S IT / 25P F-8 FRONT FORK 1996 NX650T E F-8 FRONT FORK 1996 NX650T ED F-8 FRONT FORK 1996 NX650T F / 25K F-8 FRONT FORK 1996 NX650T F / CMF F-8 FRONT FORK 1996 NX650T G F-8 FRONT FORK 1996 NX650T G / 25P F-8 FRONT FORK 1996 NX650T IT F-8 FRONT FORK 1996 NX650T IT / 25P F-8 FRONT FORK 1996 XL600VT E / MKH F-8 FRONT FORK 1996 XL600VT F / KPH F-8 FRONT FORK 1996 XL600VT G / KPH F-8 FRONT FORK 1996 XL600VT G / KPH 34P F-8 FRONT FORK 1996 XL600VT SP / KPH F-8 FRONT FORK 1997 NX650V E F-8 FRONT FORK 1997 NX650V ED F-8 FRONT FORK 1997 NX650V F / 34P F-8 FRONT FORK 1997 NX650V F / CMF F-8 FRONT FORK 1997 NX650V G F-8 FRONT FORK 1997 NX650V G / 34P F-8 FRONT FORK 1997 NX650V IT F-8 FRONT FORK 1997 NX650V IT / 34P F-8 FRONT FORK 1997 SLR650V E / MKH F-8 FRONT FORK 1997 SLR650V ED / KPH F-8 FRONT FORK 1997 SLR650V ED / KPH 34P F-8 FRONT FORK 1997 SLR650V F / KPH F-8 FRONT FORK 1997 SLR650V G / KPH F-8 FRONT FORK 1997 SLR650V G / KPH 34P F-8 FRONT FORK 1997 SLR650V SP / KPH F-8 FRONT FORK 1997 XL600VV E / MKH F-8 FRONT FORK 1997 XL600VV G / KPH F-8 FRONT FORK 1997 XL600VV G / KPH 34P F-8 FRONT FORK 1998 NX650W E F-8 FRONT FORK 1998 NX650W ED F-8 FRONT FORK 1998 NX650W ED / 34P F-8 FRONT FORK 1998 NX650W F / CMF F-8 FRONT FORK 1998 NX650W F / CMF 34P F-8 FRONT FORK 1998 NX650W G F-8 FRONT FORK 1998 N