

TIL SALG PÅ 123MC.DK

SÆLGER



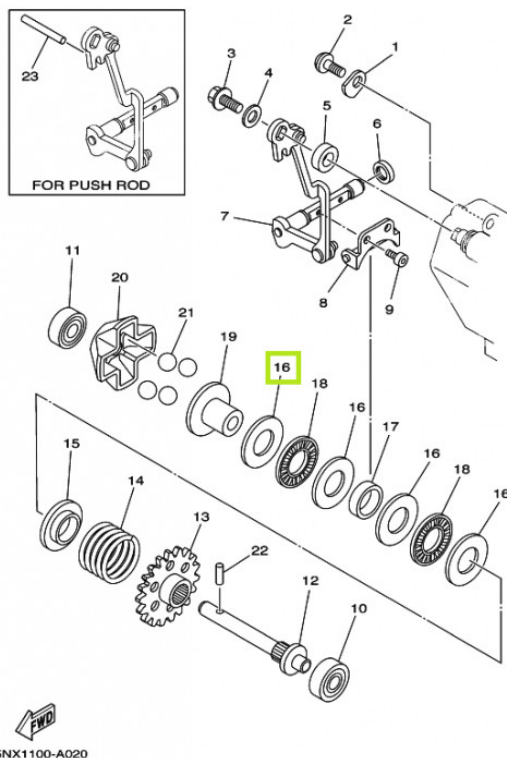
Sydfyns MC Service
Møllevvej 19 Ulbølle
5762 Vester Skerninge

Email sydfynmc@mail.dk
Telefon 62241635 / 40377224
CVR 11524494

ANNONCE

90201-150H2 (90201-150U6) WASHER, PLATE (33M)

Pris kr. 116,-



123mc.dk

Passer til Yamaha

Sælgers beskrivelse

Passer til Yamaha , Nyt passer på. 1997 DIVERSION - XJ600S CLUTCH 1997 DIVERSION - XJ900S CLUTCH 1997 SZR660 CLUTCH 1997 TDM850 CLUTCH 1997 THUNDERACE - YZF1000R CLUTCH 1997 TRX850 CLUTCH 1997 XT600E CLUTCH 1997 YFM350FW-X TRANSMISSION 1997 YFM400FW TRANSMISSION 1998 DIVERSION - XJ600S CLUTCH 1998 DIVERSION - XJ900S CLUTCH 1998 GTS1000 CLUTCH 1998 GTS1000A CLUTCH 1998 TDM850 CLUTCH 1998 THUNDERACE - YZF1000R CLUTCH 1998 WARRIOR - YFM350X TRANSMISSION 1998 XJ600N CLUTCH 1998 XT600E CLUTCH 1998 YFM350FW-X TRANSMISSION 1998 YFM400FW TRANSMISSION 1999 DIVERSION - XJ600S CLUTCH 1999 DT230 CLUTCH 1999 TDM850 CLUTCH 1999 XJ600N CLUTCH 1999 XT600E CLUTCH 1999 YFM350FWB TRANSMISSION 1999 YFM400FWB TRANSMISSION 2000 DIVERSION - XJ600S CLUTCH 2000 DIVERSION - XJ900S CLUTCH 2000 TDM850 CLUTCH 2000 THUNDERACE - YZF1000R CLUTCH 2000 XJ600N CLUTCH 2000 XT600E CLUTCH 2000 YZ125 GOVERNOR 2001 DIVERSION - XJ600S CLUTCH 2001 DIVERSION - XJ900S CLUTCH 2001 TDM850 CLUTCH 2001 THUNDERACE - YZF1000R CLUTCH 2001 XJ600N CLUTCH 2001 YFM660R CLUTCH 2001 YFM660R CLUTCH 2001 YFM660R TRANSMISSION 2001 YFM660R TRANSMISSION 2001 YZ125 GOVERNOR 2002 DIVERSION - XJ600S CLUTCH 2002 DIVERSION - XJ900S CLUTCH 2002 WARRIOR - YFM350X TRANSMISSION 2002 XJ600N CLUTCH 2002 XT600E CLUTCH 2002 YFM660R CLUTCH 2002 YFM660R TRANSMISSION 2002 YZ125 GOVERNOR 2002 YZ250 GOVERNOR 2003 BIG BEAR PRO - YFM400FW TRANSMISSION 2003 WARRIOR - YFM350X TRANSMISSION 2003 YFM660R CLUTCH 2003 YFM660R CLUTCH 2003 YFM660R TRANSMISSION 2003 YFM660R TRANSMISSION 2003 YZ125 GOVERNOR 2003 YZ250 GOVERNOR 2004 WARRIOR - YFM350X TRANSMISSION 2004 YFM350 TRANSMISSION 2004 YFM660R CLUTCH 2004 YFM660R CLUTCH 2004 YFM660R TRANSMISSION 2004 YFM660R TRANSMISSION 2004 YZ125 GOVERNOR 2004 YZ250 GOVERNOR 2005 YFM350 TRANSMISSION 2005 YFM350 TRANSMISSION 2005 YFM660R CLUTCH 2005 YFM660R CLUTCH 2005 YFM660R TRANSMISSION 2005 YFM660R TRANSMISSION 2005 YZ125 GOVERNOR 2005 YZ250 GOVERNOR 2006 YFM350 TRANSMISSION 2006 YFM350 TRANSMISSION 2006 YZ125 GOVERNOR 2006 YZ250 GOVERNOR 2007 GRIZZLY 700 FI - YFM700FWAD TRANSMISSION 2007 GRIZZLY 700 FI - YFM700FWAD TRANSMISSION 2007 GRIZZLY 700 FI - YFM700FWAD TRANSMISSION 2007 YFM350 TRANSMISSION 2007 YFM350 TRANSMISSION 2007 YFM350 TRANSMISSION 2007 YFM350R TRANSMISSION 2007 YFM350R TRANSMISSION 2007 YFM350R TRANSMISSION 2007 YFM350R TRANSMISSION 2007 YZ125 GOVERNOR 2007 YZ250 GOVERNOR 2008 GRIZZLY 700 FI - YFM700FWAD TRANSMISSION 2008 GRIZZLY 700 FI - YFM700FWAD TRANSMISSION 2008 RHINO 700 FI - YXR700F TRANSMISSION 2008 RHINO 700 FI - YXR700F TRANSMISSION 2008 RHINO 700 FI - YXR700F TRANSMISSION 2008 RHINO 700 FI - YXR700F TRANSMISSION 2008 YFM350 TRANSMISSION 2008 YFM350R TRANSMISSION 2008 YFM350R TRANSMISSION 2008 YFM350R TRANSMISSION 2008 YZ125 GOVERNOR 2008 YZ250 GOVERNOR 2009 GRIZZLY 550 FI - YFM550FWA TRANSMISSION 2009 GRIZZLY 550 FI - YFM550FWAD TRANSMISSION 2009 GRIZZLY 550 FI - YFM550FWAD TRANSMISSION 2009 GRIZZLY 550 FI - YFM550FWAD TRANSMISSION 2009 GRIZZLY 700 FI - YFM700FWAD TRANSMISSION 2009 GRIZZLY 700 FI - YFM700FWAD TRANSMISSION 2009 GRIZZLY 700 FI - YFM700FWAD TRANSMISSION 2009 GRIZZLY 700 FI - YFM700FWAD TRANSMISSION 2009 RHINO 700 FI - YXR700F TRANSMISSION 2009 RHINO 700 FI - YXR700F TRANSMISSION 2009 RHINO 700 FI - YXR700F TRANSMISSION 2009 RHINO 700 FI - YXR700F TRANSMISSION 2009 RHINO 700 FI - YXR700F TRANSMISSION 2009 YFM350R TRANSMISSION 2009 YFM350R - YFM350 TRANSMISSION 2009 YZ125 GOVERNOR 2009 YZ250 GOVERNOR 2010 GRIZZLY 700 FI - YFM700FWAD TRANSMISSION 2010 YFM350R TRANSMISSION 2010 YFM350R - YFM350 TRANSMISSION 2010 YZ125 GOVERNOR 2010 YZ250 GOVERNOR 2011 YFM350R TRANSMISSION 2011 YFM350R - YFM350 TRANSMISSION 2011 YZ125 GOVERNOR 2011 YZ250 GOVERNOR 2012 YFM350 TRANSMISSION 2012 YFM350R TRANSMISSION 2012 YZ125 GOVERNOR 2012 YZ250 GOVERNOR 2013 YZ125 GOVERNOR 2013 YZ250 GOVERNOR 2014 YZ125 GOVERNOR 2014 YZ250 GOVERNOR 2015 YZ125 GOVERNOR 2015 YZ250 GOVERNOR 2016 YZ125 GOVERNOR 2016 YZ250 GOVERNOR 2017 YZ125 GOVERNOR 2017 YZ250 GOVERNOR 2018 YZ125 GOVERNOR 2018 YZ250 GOVERNOR 2019 YZ125 GOVERNOR 2019 YZ250 GOVERNOR 2019 YZ85LW GOVERNOR 2020 YZ125 GOVERNOR 2020 YZ125X GOVERNOR 2020 YZ250 GOVERNOR 2020 YZ85LW GOVERNOR 2021 YZ125 GOVERNOR 2021 YZ250 GOVERNOR 2021 YZ85LW GOVERNOR 2022 YZ125 GOVERNOR 2022 YZ125 GOVERNOR 2022 YZ250 GOVERNOR 2022 YZ250 GOVERNOR 2022 YZ85LW GOVERNOR