

# TIL SALG PÅ 123MC.DK

## SÆLGER



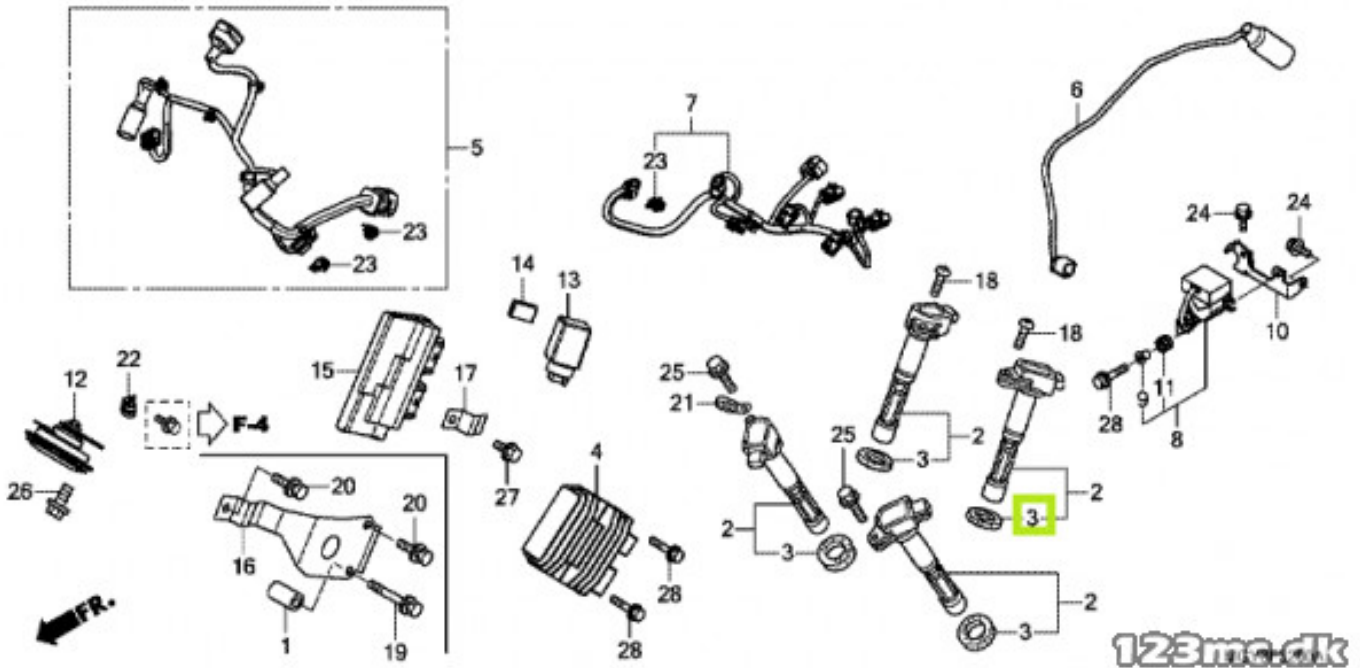
Sydfyns MC Service  
Møllevvej 19 Ulbølle  
5762 Vester Skerninge

Email [sydfynmc@mail.dk](mailto:sydfynmc@mail.dk)  
Telefon 62241635 / 40377224  
CVR 11524494

## ANNONCE

### 30522-PFB-007 SEAL, PLUG HOLE

Ring for pris



Passer til Honda

#### Sælgers beskrivelse

Passer til Honda , Nyt passer på 2002 VFR8002 E F-32 WIRE HARNESS (VFR800) 2002 VFR8002 ED F-32 WIRE HARNESS (VFR800) 2002 VFR8002 F F-32 WIRE HARNESS (VFR800) 2002 VFR800A2 E / ABS F-32-1 WIRE HARNESS (VFR800A) 2002 VFR800A2 ED / ABS F-32-1 WIRE HARNESS (VFR800A) 2002 VFR800A2 F / ABS F-32-1 WIRE HARNESS (VFR800A) 2003 VFR8003 E F-32 WIRE HARNESS (VFR800) 2003 VFR8003 ED F-32 WIRE HARNESS (VFR800) 2003 VFR8003 F F-32 WIRE HARNESS (VFR800) 2003 VFR800A3 E / ABS F-32-1 WIRE HARNESS (VFR800A) 2003 VFR800A3 ED / ABS F-32-1 WIRE HARNESS (VFR800A) 2003 VFR800A3 F / ABS F-32-1 WIRE HARNESS (VFR800A) 2004 VFR8004 E F-32 WIRE HARNESS (VFR800) 2004 VFR8004 ED F-32 WIRE HARNESS (VFR800) 2004 VFR8004 F F-32 WIRE HARNESS (VFR800) 2004 VFR800A4 E / ABS F-32-1 WIRE HARNESS (VFR800A) 2004 VFR800A4 ED / ABS F-32-1 WIRE HARNESS (VFR800A) 2004 VFR800A4 F / ABS F-32-1 WIRE HARNESS (VFR800A) 2005 VFR8005 E F-32 WIRE HARNESS (VFR800) 2005 VFR8005 ED F-32 WIRE HARNESS (VFR800) 2005 VFR8005 F / CMF F-32 WIRE HARNESS (VFR800) 2005 VFR800A5 E / ABS F-32-1 WIRE HARNESS (VFR800A) 2005 VFR800A5 ED / ABS F-32-1 WIRE HARNESS (VFR800A) 2005 VFR800A5 F / ABS CMF F-32-1 WIRE HARNESS (VFR800A) 2006 VFR8006 E F-32 WIRE HARNESS(VFR800) 2006 VFR8006 ED F-32 WIRE HARNESS(VFR800) 2006 VFR8006 F / CMF F-32 WIRE HARNESS(VFR800) 2006 VFR800A6 E / ABS F-32-1 WIRE HARNESS(VFR800A) 2006 VFR800A6 ED / ABS F-32-1 WIRE HARNESS(VFR800A) 2006 VFR800A6 F / ABS CMF F-32-1 WIRE HARNESS(VFR800A) 2008 VFR8008 E F-32 WIRE HARNESS(VFR800) 2008 VFR8008 ED F-32 WIRE HARNESS(VFR800) 2008 VFR8008 F / CMF F-32 WIRE HARNESS(VFR800) 2008 VFR800A8 E / ABS F-32-1 WIRE HARNESS(VFR800A) 2008 VFR800A8 ED / ABS F-32-1 WIRE HARNESS(VFR800A) 2008 VFR800A8 F / ABS CMF F-32-1 WIRE HARNESS(VFR800A) 2009 VFR8009 E / MK F-32 WIRE HARNESS(VFR800) 2009 VFR8009 ED / MME F-32 WIRE HARNESS(VFR800) 2009 VFR8009 E / MME TWO F-32 WIRE HARNESS(VFR800) 2009 VFR8009 ED / MK F-32 WIRE HARNESS(VFR800) 2009 VFR8009 ED / MME F-32 WIRE HARNESS(VFR800) 2009 VFR8009 ED / MME TWO F-32 WIRE HARNESS(VFR800) 2009 VFR8009 ED / TWO F-32 WIRE HARNESS(VFR800) 2009 VFR800A9 E / ABS F-32-1 WIRE HARNESS(VFR800A) 2009 VFR800A9 E / ABS MME F-32-1 WIRE HARNESS(VFR800A) 2009 VFR800A9 ED / ABS MME TWO F-32-1 WIRE HARNESS(VFR800A) 2009 VFR800A9 ED / ABS TWO F-32-1 WIRE HARNESS(VFR800A) 2009 VFR800A9 ED / ABS MME TWO F-32-1 WIRE HARNESS(VFR800A) 2009 VFR800A9 ED / ABS MME TWO F-32-1 WIRE HARNESS(VFR800A) 2011 VFR800X F-32 SUB HARNESS 2012 VFR800X F-32 SUB HARNESS