

TIL SALG PÅ 123MC.DK

SÆLGER



Sydfyns MC Service
Møllevvej 19 Ulbølle
5762 Vester Skerninge

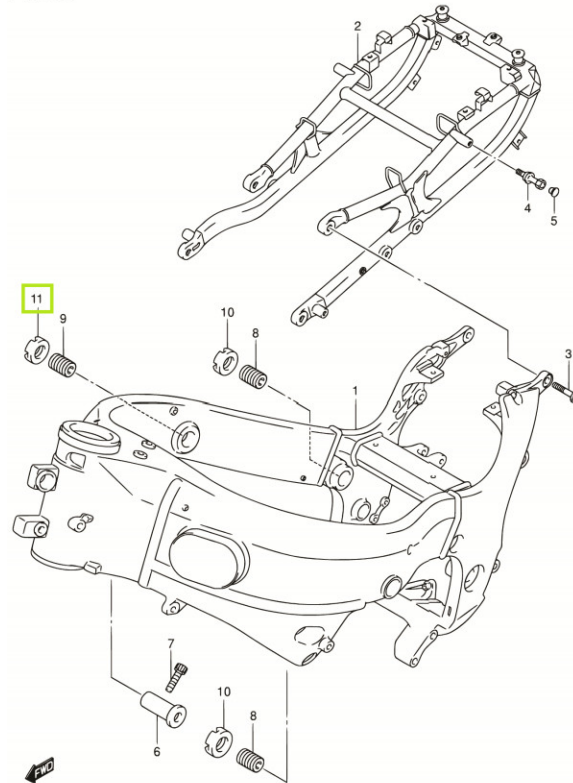
Email sydfynmc@mail.dk
Telefon 62241635 / 40377224
CVR 11524494

ANNONCE

41922-33E30 NUT,CRANK CASE ADJUST BOLT

Pris kr. 127,-

FIG.60



GSX1300RAL3_E02_060
FRAME

123mc.dk

Passer til **Suzuki GSX 1300 R Hayabusa** årgang **2008**

Sælgers beskrivelse

Passer til Suzuki GSX 1300 R Hayabusa årgang 2008, Ny original reservedel. Varenr.: 41922-33E10-000 Erstattet af: 41922-33E30 Passer til 1997 GSXR600 1997 GSXR750 1997 TL1000S 1998 GSXR600 1998 GSXR750 1998 TL1000R 1998 TL1000S 1999 GSX1300R HAYABUSA 1999 GSXR600 1999 GSXR750 1999 TL1000R 1999 TL1000S 2000 GSX1300R HAYABUSA 2000 GSXR600 2000 TL1000R 2000 TL1000S 2001 GSX1300R HAYABUSA 2001 TL1000R 2001 TL1000S 2002 GSX1300R HAYABUSA 2002 TL1000R 2003 GSX1300R(Z) HAYABUSA 2004 GSX1300R HAYABUSA 2005 GSX1300R HAYABUSA 2006 GSX1300R HAYABUSA 2007 GSX1300RZ HAYABUSA 2008 GSX1300R HAYABUSA 2009 GSX1300R HAYABUSA 2010 GSX1300R HAYABUSA 2011 GSX1300R HAYABUSA 2012 GSX1300R HAYABUSA 2013 GSX1300RA HAYABUSA 2014 GSX1300RA HAYABUSA 2015 GSX1300RA HAYABUSA 2016 GSX1300RA HAYABUSA 2017 GSX1300RA HAYABUSA